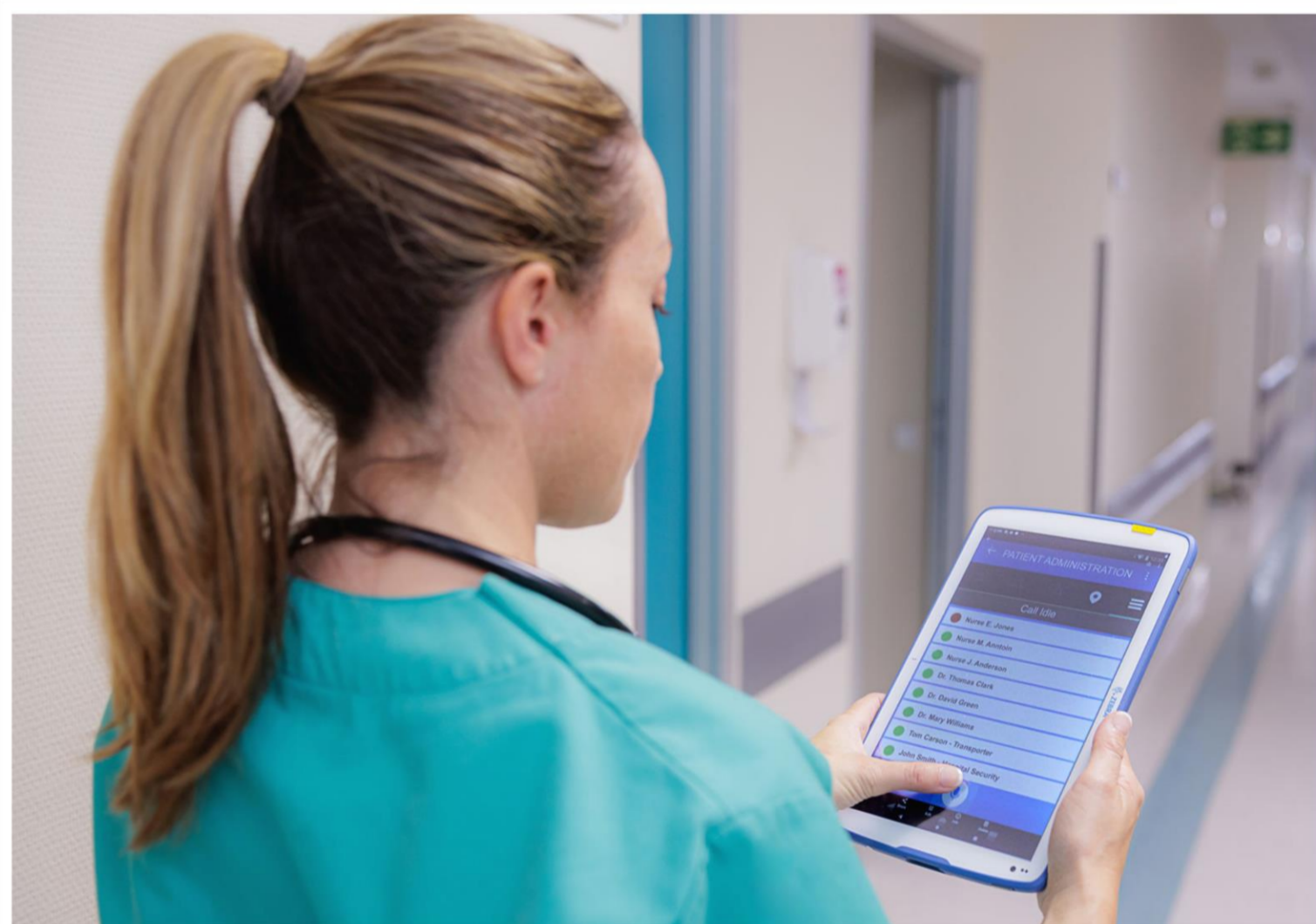
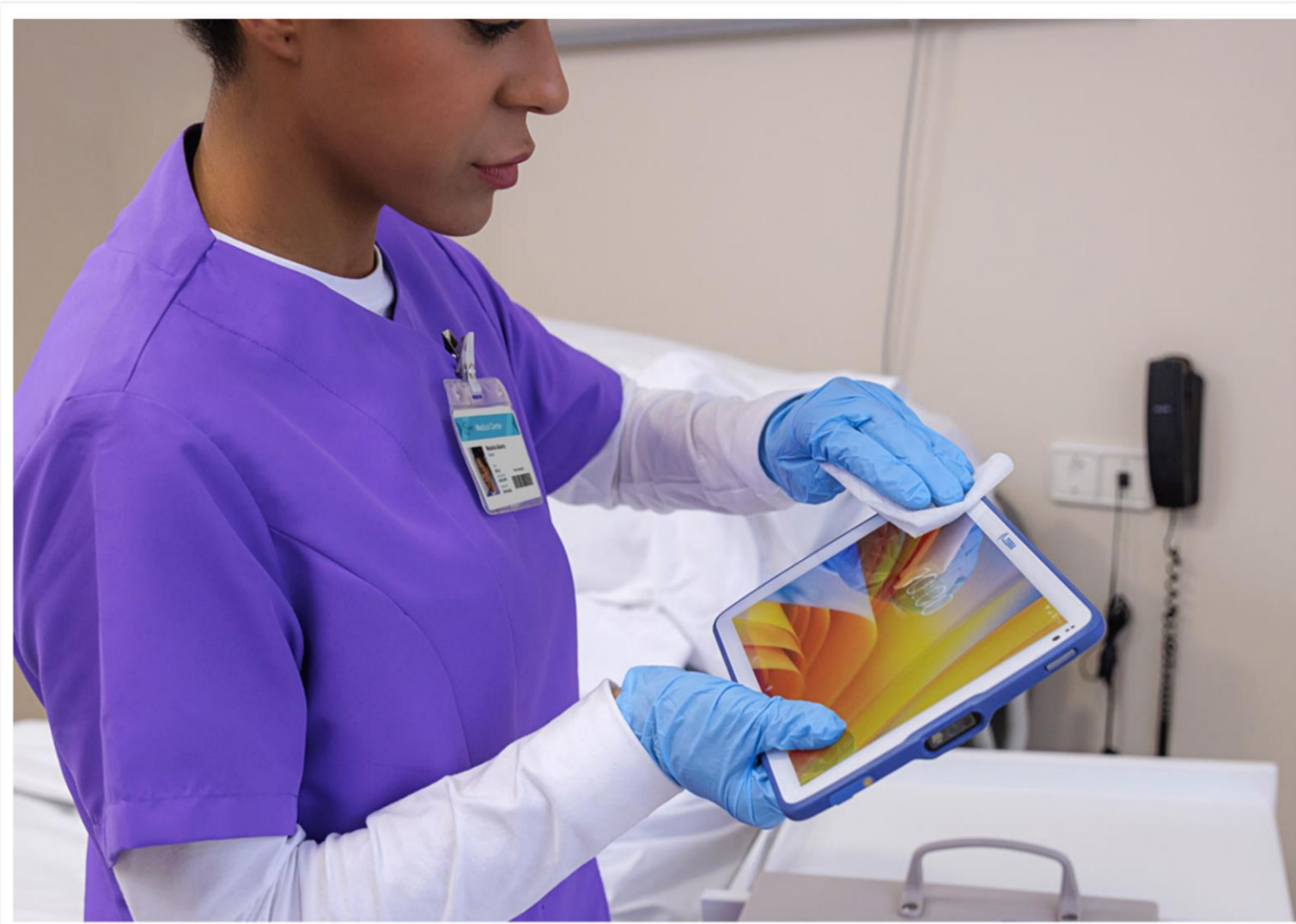


# ET40-HC and ET45-HC Accessories Guide

**Rugged tablets built to meet the demands  
of healthcare — and your budget**

For the latest version of this guide and more,  
please visit [www.zebra.com/et4x-hc](http://www.zebra.com/et4x-hc)

July 2024



<b>I. Accessories that POWER devices</b>	
<b>Wall Charger and Cradles</b>	<b>3</b>
Wall charger, Single-slot and multi-slot cradles, VESA adapter	
<b>Power supply</b>	<b>7</b>
Power Supply, cables, and adapters	
<b>II. Accessories that ENABLE productivity solutions</b>	
<b>Straps</b>	<b>8</b>
Healthcare Hand Strap	
<b>Connect Cradle, Hub, and Stand</b>	<b>9</b>
Connect Cradle, Connect Hub, Presentation Stand, Battery Door Adapter, Desktop Mounting Brackets, Communication “Y” cable, Key Tool	
<b>Headsets</b>	<b>12</b>
Workforce Connect Headsets, Adapters	
<b>III. Other Accessories / Spare / Replacement Parts</b>	<b>13</b>
Spare internal batteries, battery covers, replacement hand straps, etc.	

## Wall Charger



### USB Wall Power Supply

SKU# PWR-WUA5V12W0XX

USB type A Wall Power Supply adaptor 5V 2.5A

Replace 'XX' in SKU as follows to get the right plug style based on region:

US (United States) • GB (United Kingdom) • EU (European Union) •  
AU (Australia) • CN (China) • IN (India) • KR (Korea) • BR (Brazil)

- Charges a single ET40/ET45 tablet
- 8" tablet charges from 0–80% in less than 2.5 hours
- 10" tablet charges from 0–80% in less than 3 hours
- Requires a USB cable sold separately

Sold separately:

- USB C to USB A communications and charging cable [SKU# CBL-TC5X-USBC2A-01](#)

### Single Slot Cradle



#### Single-slot Charge-only Cradle

SKU# [CRD-ET4X-1SCG1-01](#)

Single-slot charge-only cradle. Charges a single ET40/ET45 tablet.

- Accommodates tablet with or without rugged boot, expansion back, or payment back.
- 8" tablet charges from 0–80% in less than 2 hours.
- 10" tablet charges from 0–80% in less than 2½ hours.
- Compatible disinfecting agents are recommended in the following order: Mild Dish Soap, 70% Isopropyl Alcohol Solution, 0.5-3% Hydrogen Peroxide Solution, 1:10 Diluted 5.5% Bleach (Sodium Hypochlorite) Solution, 90% Oleic Acid.

Sold separately:

- Power supply [SKU# PWR-BGA12V50W0WW](#) and DC cable [SKU# CBL-DC-388A1-01](#).
- Country-specific AC line cord (options listed in this document) compatible with the power supply SKU.

# Accessories that power devices



## Multi Slot Cradles



### Four-slot Charge-only Cradle for 10" Tablets

SKU# CRD-ET4X-4S10I1-01

Four-slot charge-only ShareCradle with T-adapters for 10" HC tablets. Charges up to four 10" ET40-HC / ET45-HC tablets.

- Accommodates HC tablet with or without HC hand strap.
- T-adapter in each device slot can be flipped/rotated to fit a tablet only configuration or tablet with HC hand strap configuration.
- HC tablet charges from 0–80% in less than 2.5 hours.
- Compatible disinfecting agents are recommended in the following order: Mild Dish Soap, 70% Isopropyl Alcohol Solution, 0.5-3% Hydrogen Peroxide Solution, 1:10 Diluted 5.5% Bleach (Sodium Hypochlorite) Solution, 90% Oleic Acid.

Sold separately:

- Power supply SKU# PWR-BGA12V108W0WW and DC cable SKU# CBL-DC-381A1-01.
- Country-specific AC line cord (options listed in this document) compatible with the power supply SKU.

### Device cradle cup replacement kit

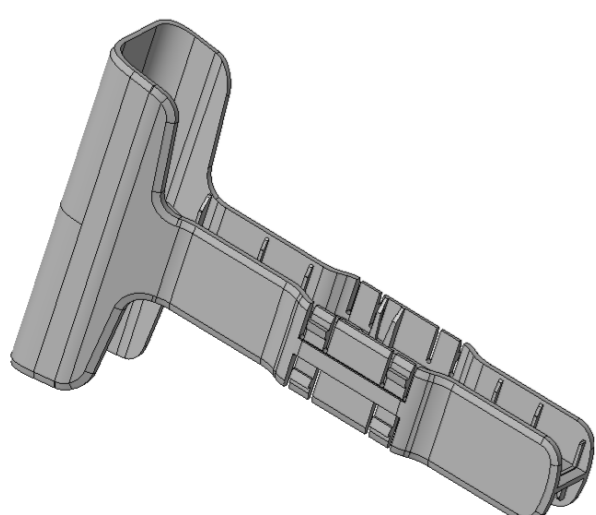
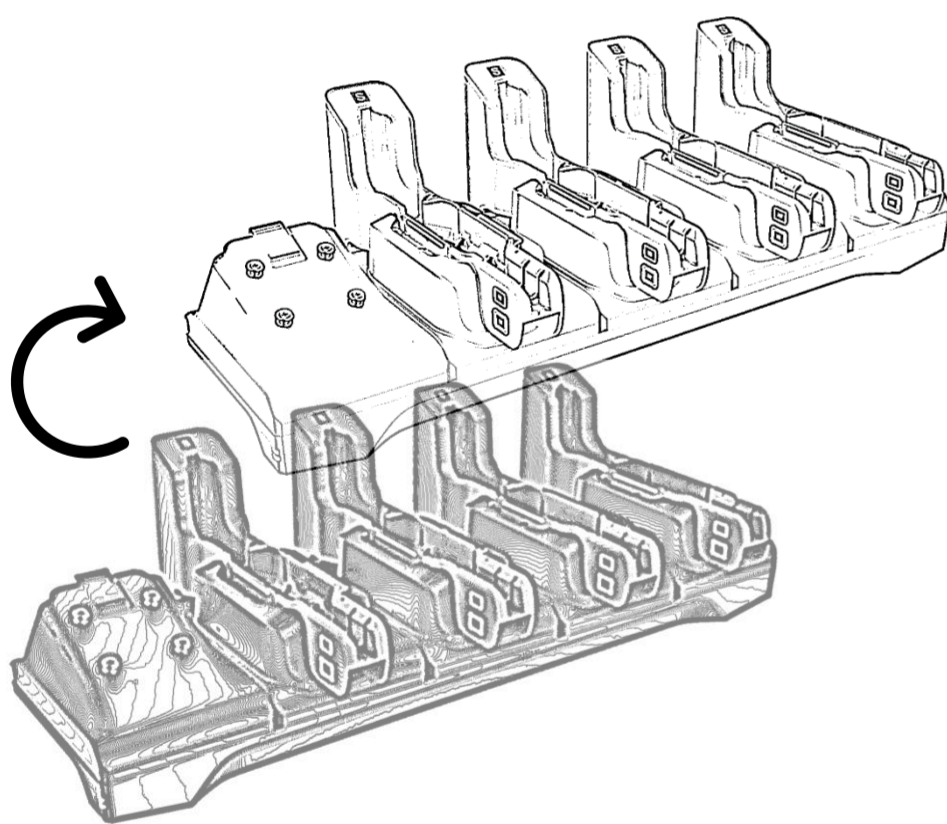
SKU# CRDCUP-4S-ET5TOET4

Replacement kit for conversion of ET5X multi-slot cradle to ET4X multi-slot cradle.

- Supports conversion from ET5X multi-slot cradle SKU# CRD-ET5X-SE4CO3-01.
- Also supports conversion from select ET5X multi-slot cradle SKU# CRD-ET5X-SE4CO2-01 with base identifier AS-000254-11 or greater
- Does not include the T-adapters needed to hold ET4X tablets.

Sold separately:

- Required T-adapters for tablets to place in cups SKU# ADP-ET4X-10T4S1-04 for 10".



### T-adapters for 10" tablets used in multi slot cradles

SKU# ADP-ET4X-10T4S1-04

Optional T-adapter for 10" ET40-HC and ET45-HC for use in ET4X Four Slot Cradle (Pack of 4).

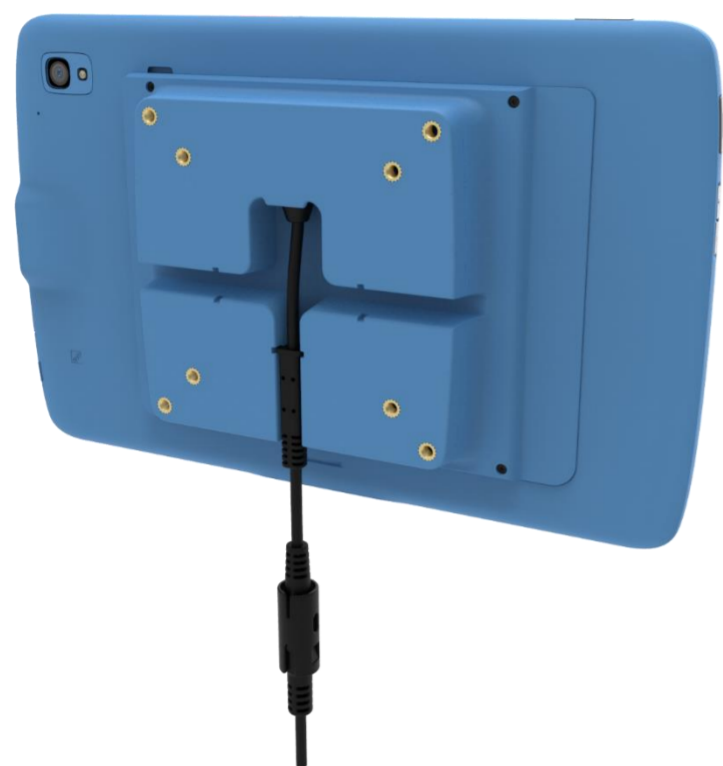
- Used as a spare/replacement of T-adapters or for use with cradle cup replacement kit
- T-adapter in each device slot can be flipped/rotated to accommodate HC tablet with or without HC hand strap.

### VESA Mounting options with power

#### VESA mounting for versatility

Create an ability to mount ET40-HC and ET45-HC tablet to any VESA mount.

- Ideal for customers that have fixed kiosk need, bedside patient information/entertainment system.



#### VESA Adapter for 10" HC Tablet

SKU# ZBK-ET4X-10HCVESA-01

HC Expansion Back for 10" ET40-HC and ET45-HC tablet with VESA Pattern and DC power input

- Replaces existing battery cover and screws down to back of tablet.
- Powers the tablet using the pogo connectors on the back of the tablet.
- Compatible with the full range of HC disinfectants like the tablet.

Sold separately:

- Power supply SKU# PWR-BGA12V50W0WW and DC cable SKU# CBL-DC-388A2-01.
- Country-specific AC line cord (options listed in this document) compatible with the power supply SKU.

# Accessories that power devices



## Power supply, cables, and adaptors

### Power supply and cable matrix for HC tablet and accessories

SKU#	Description	Note
PWR-BGA12V108W0WW	Level VI AC/DC power supply brick. AC Input: 100–240V, 2.8A. DC Output: 12V, 9A, 108W.	Use with:
CBL-DC-381A1-01	DC line cord for running multi-slot cradles from a single Level VI power supply.	<ul style="list-style-type: none"> <li>• CRD-ET4X-4S10I1-01</li> </ul>
PWR-BGA12V50W0WW	Level VI AC/DC power supply brick. AC Input: 100-240V, 2.4A. DC Output: 12V, 4.16A, 50W.	Use with: <ul style="list-style-type: none"> <li>• CRD-ET4X-1SCG1-01</li> <li>• ZBK-ET4X-10HCVESA-01</li> <li>• STND-ET4X-10POS1-01</li> </ul>
CBL-DC-388A1-01	DC line cord for running single-slot cradles or battery chargers from a single Level VI power supply.	Use with: <ul style="list-style-type: none"> <li>• CRD-ET4X-1SCG1-01</li> </ul>
CBL-DC-388A2-01	DC line cord for running VESA mounts and Presentation Stand from a single Level VI power supply.	Use with: <ul style="list-style-type: none"> <li>• ZBK-ET4X-10HCVESA-01</li> <li>• STND-ET4X-10POS1-01</li> </ul>
CBL-TC5X-USBC2A-01	USB C to USB A communications and charging cable, 1m long	Use with: <ul style="list-style-type: none"> <li>• PWR-WUA5V12W0XX</li> </ul>
PWR-WUA5V12W0XX	USB type A power supply adaptor (wall wart). Replace 'XX' in SKU as follows to get the right plug style based on region: <b>US</b> (United States) • <b>GB</b> (United Kingdom) • <b>EU</b> (European Union) <b>AU</b> (Australia) • <b>CN</b> (China) • <b>IN</b> (India) • <b>KR</b> (Korea) • <b>BR</b> (Brazil)	Use with a communications & charge cable to directly charge ET40 / ET45 device drawing power from a wall socket.

### Country-specific AC line cords: grounded, 3-prong



SKU#	Country / region	Note
23844-00-00R	North America (United States, Canada, Mexico)	7.5 feet long
50-16000-678R	North America (United States, Canada, Mexico)	3 feet long
50-16000-221R	North America (United States, Canada, Mexico)	6 feet long
50-16000-727R	Brazil	1.8 meters (6 feet) long
50-16000-680R	Argentina	1.8 meters (6 feet) long
50-16000-217R	American Samoa, Australia, New Guinea	1.8 meters (6 feet) long
50-16000-218R	Japan	1.8 meters (6 feet) long
50-16000-219R	Antigua, Bermuda, Burma, Channel Islands, Hong Kong, Iraq, Ireland, Malaysia, North Ireland, Scotland, Singapore, United Kingdom, Wales	1.8 meters (6 feet) long
50-16000-257R	China	1.8 meters (6 feet) long
50-16000-220R	Europe, Abu Dhabi, Bolivia, Dubai, Egypt, Iran, Korea, Russia, Vietnam	1.8 meters (6 feet) long
50-16000-671R	Italy	1.8 meters (6 feet) long
50-16000-669R	India, S. Africa, Africa	1.8 meters (6 feet) long

## Straps



### Healthcare Hand Strap

SKU# SG-ET4X-HCHNDSTR1-01

Healthcare Hand Strap for 10" ET40-HC and ET45-HC tablets

- Hand Strap material made from silicone rubber and frame made using disinfectant-ready plastics.
- Compatible with the full range of HC disinfectants like the tablet.



## Connect Cradles

These accessories allow for the ET40/45 tablet to connect to multiple purpose-built peripherals and enable Zebra Workstation Connect on an external monitor. The **Connect Cradle** offers connections for standard workstation setups (monitor, keyboard, mouse) while the **Connect Hub** provides three additional powered USB ports for setups utilizing POS-specific peripherals such as a payment terminal, receipt printer, or scanner.



### Connect Cradle

SKU# [CRD-ET4X-1SNWS-02](#)

Workstation Connect Cradle for 8"/10" ET40/ET45 tablets

- Allows to connect the tablet to an external monitor and peripherals.
- Ports on the cradle include HDMI, RJ45 ethernet, 3.5mm headset jack and four USB-A.
- Accommodates tablet with or without rugged boot. Incompatible with expansion back, or payment back on the tablet.
- Features a locking cable cover that secures and protects the connections of all peripherals in the back, preventing tampering or accidental disconnects

Sold separately:

- Power supply [SKU# PWR-BGA12V50W0WW](#) and DC cable [SKU# CBL-DC-388A2-01](#)
- Country-specific grounded AC line cord (options listed in this document) compatible with the power supply SKU.

### Connect Hub

SKU# [CRD-BLNK-1SNHP-01](#)

Point of Sale Connect Hub for 8"/10" ET40 and ET45 tablets

- Allows to connect a host device to an external monitor and multiple peripherals.
- Ports on the hub include HDMI, RJ45 ethernet, 3.5mm headset jack, four USB-A, 24V powered USB, and two 12V powered USB ports.
- Accommodates tablet with or without rugged boot. Incompatible with expansion back, or payment back on the tablet.
- Features a locking cable cover that secures and protects the connections of all peripherals in the back, preventing tampering or accidental disconnects

Sold separately:

- Charge and Communication cable [SKU# CBL-ET4X-SCHCAB-01](#)
- Power supply [SKU# PWR-BGA24V150W1WW](#)
- Mounting Bracket [SKU# BRKT-NWPC-DSKPS-01](#)
- Country-specific grounded AC line cord (options listed in this document) compatible with the power supply SKU.



## Stand and related accessories

*ET40-HC and ET45-HC tablets are registration-room ready with Zebra's Presentation Stand to facilitate a kiosk, check-in, self-service, information, or point-of-sale application.*



### Presentation Stand

SKU# [STND-ET4X-10POS1-01](#)

Presentation Stand for 10" ET40-HC and ET45-HC tablets

- Tablet is mounted to the stand and receives power and USB communication using the battery door adapter
- Stand features height adjustment, tablet tilting for the best view angle, and base rotation to switch between associate and customer controlling the application content based on the tablet orientation
- Tablet is secured using an electro-mechanical lock; can be unlocked using an application on tablet or a back-up mechanical key
- Accommodates tablet with or without rugged boot
- Can be mounted securely to the desk/table using a desktop mounting plate
- Compatible disinfecting agents are recommended in the following order: Mild Dish Soap, 70% Isopropyl Alcohol Solution, 0.5-3% Hydrogen Peroxide Solution, 1:10 Diluted 5.5% Bleach (Sodium Hypochlorite) Solution, 90% Oleic Acid.

Sold separately:

- Battery Door Adapter for Presentation Stand [SKU# MISC-ET4X-BTDPS-01](#)
- Desktop Mounting Plate [SKU# BRKT-ET4X-DSKPS-01](#)
- Power supply [SKU# PWR-BGA12V50W0WW](#) and DC cable [SKU# CBL-DC-388A2-01](#)
- Country-specific grounded AC line cord (options listed in this document) compatible with the power supply SKU.



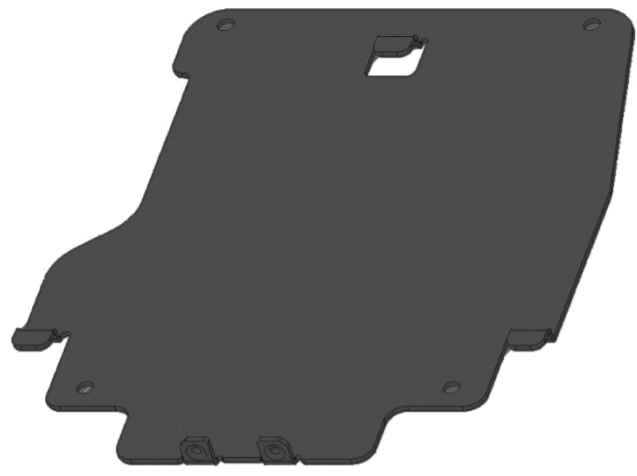
### Battery Door Adapter for Presentation Stand

SKU# [MISC-ET4X-BTDPS-01](#)

Battery Door for 10" ET4X tablets to provide secure mounting to the Presentation Stand

- Replaces existing battery cover and screws down to back of tablet

## Stand and related accessories



### Desktop Mounting Plate

SKU# BRKT-ET4X-DSKPS-01

Desktop Mounting Plate for Presentation Stand

- Enables secure mounting of Presentation Stand to the desk/table
- Provides additional security against theft of the stand and blocks the bottom USB and power ports



### Presentation Stand Release Tool

SKU# KT-MC18-CKEY-20

Mechanical tool to release the tablet from the Presentation Stand (pack of 20)

- Used as a back up mechanical release and/or in lieu of SW application.

## Headsets

### Close gaps, Open possibilities with Workforce Connect

Usher in a new era of transformation—one led by your frontline and powered by Zebra Workforce Connect. One where communication and information flows freely and gaps between teams, workflows and data are closed.

With Workforce Connect, hindered workers become effective problem solvers, contributing their best. Critical workflows are streamlined in one place, on one device, equipping workers with the information they need, right at their fingertips.

Only Zebra offers the most complete lineup of software and rugged hardware with the scalability, support and service needed to make the greatest impact where it counts—on the frontline.

[Learn more about you can elevate your frontline workers with Zebra Workforce Connect.](#)



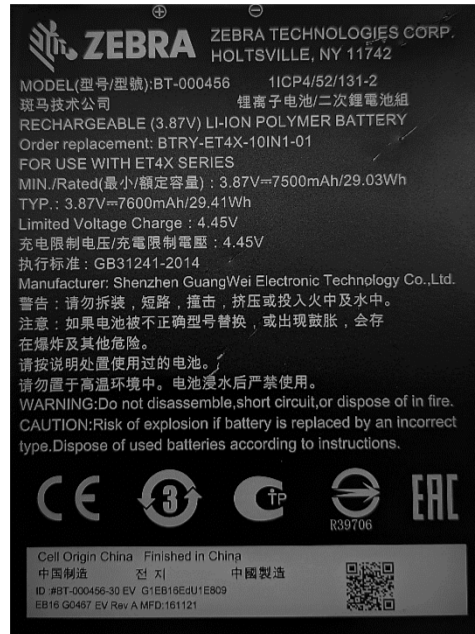
### USB-C wired headsets for Workforce Connect

SKU# HDST-USBC-PTT1-01

PTT headset with USB-C connector; one-piece solution.

- For Push-To-Talk (PTT) applications with volume up/volume down/PTT buttons. Compatible with PTT Express/PTT Pro.
- Rotating earpiece allows for right or left ear configuration. Mono headset with microphone.
- Includes clip for attaching PTT button to clothing.

## Tablet-Related Spare / Replacements



### Spare/Replacement Internal Battery for 10" Tablets

SKU# BTRY-ET4X-10IN1-01

India SKU# BTRY-ET4X-10IN1-IN

Field Replaceable Internal Battery for 10" ET4X tablets. Rechargeable Li-Ion  
3.87V 7600mAh 29.41Wh.

- PowerPrecision Battery. Obtain advanced battery state of health information including charge level and battery age based on usage patterns.
- Internal Battery charges only when inside the tablet.



### Spare/Replacement Battery Cover for HC Tablets

SKU# MISC-ET4X-HCBATCVR-01

Spare/Replacement Blue Cover for Battery Housing for ET40-HC and ET45-HC

- Ideal when the original battery cover is lost or damaged.

