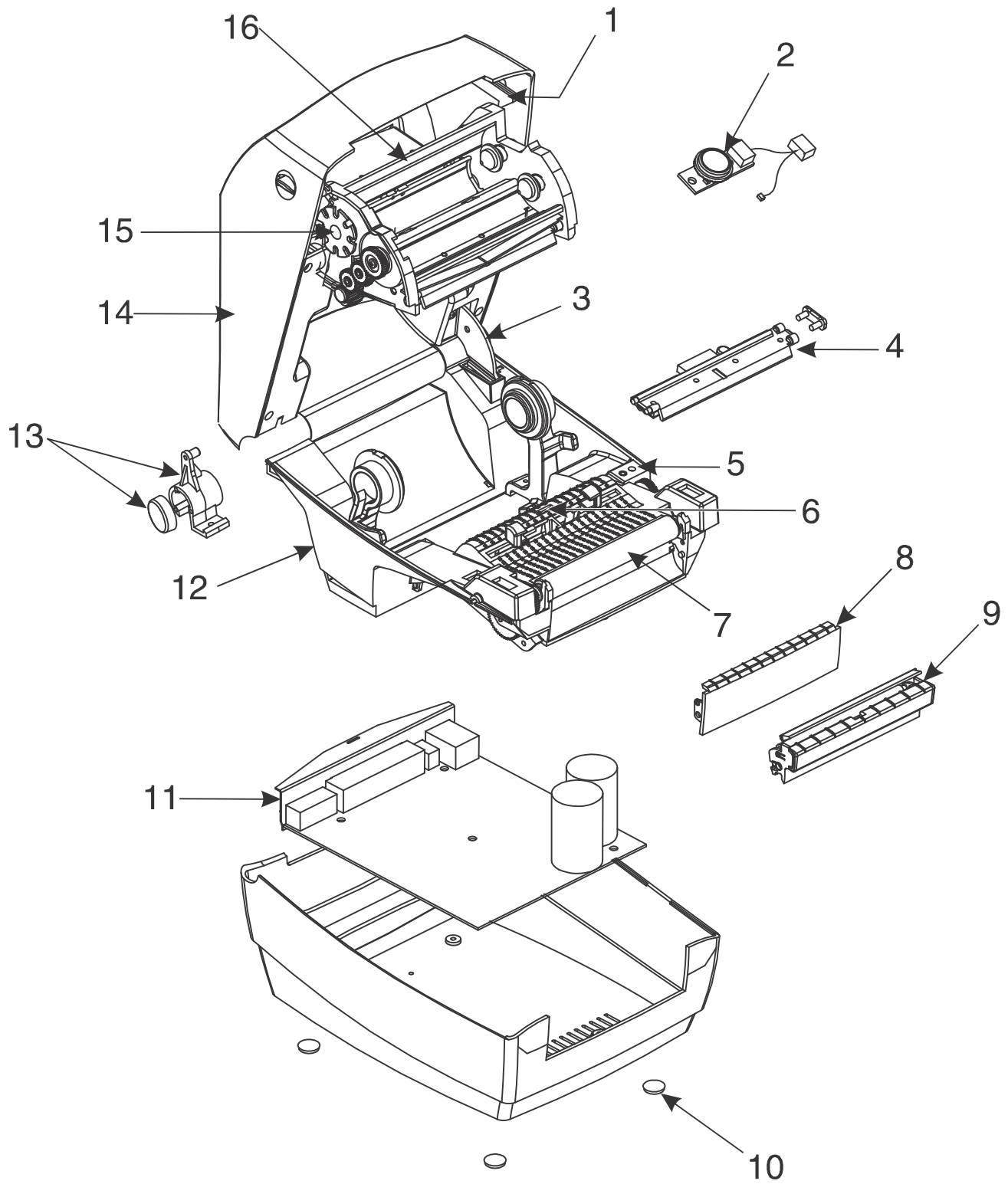


GC420t



Spare Parts List Desktop Printers

GC420t

Item #	Description	Part Number
1	Latch Assy.	105910-052
2	Feed Switch/Sensor Assy. (set of 3)	G105910-064
3	Upper Cover Support (set of 3)	G105910-066
4	Printhead Assy., (203 dpi) Print Head Cable Assy.	G105910-053 105910-065
5	Head Up Sensor	G105916-015
6	Gap/Blackline Sensor PCBA (set of 3)	P1012845-002
7	Platen Kit, std. (set of 3)	105910-055
8	Front Bezel, std. (set of 10)	105910-057
9	Front Bezel, Dispenser Label Taken Sensor PCBA (set of 3)	P1031815-013 P1031815-012
10	Rubber Foot Kit (set of 24)	105910-007
11	Main Control PCBA, Ser./USB/Par., Cutter Main Control PCBA, Ethernet/USB, Cutter	P1031815-019 P1031815-020
12	Lower Frame Assy.	P1031815-014
13	Cover Hinge (set of 10)	G105910-074
14	Upper Cover Assy.	P1031815-015
15	Ribbon Out Sensor (set of 3)	G105910-067
16	Ribbon Carriage w/o print head	G105910-061
Not Shown	Motor (set of 2)	G105910-051
	Nameplate GC420t	P1031815-022
	Power Supply, 60W, 20V, with US Cord	P1012845-011
	Power Supply, 60W, 20V, with UK and EU Cords	105950-076
	Power Cord, US (Set of 5)	105950-061
	Power Cord, Euro (Set of 5)	105950-062
	Power Cord, U.K (Set of 5)	105950-063
	Power Cord, Australia (Set of 5)	105950-064
	Power Cord, Argentina (Set of 5)	105950-066
	Power Cord, Brazil (Set of 5)	P1037999
	Users CD-ROM	P1031815-024
	Service CD-ROM	P1050233-001
	Shipping Pack – Packaging for shipping the printer	105934-151