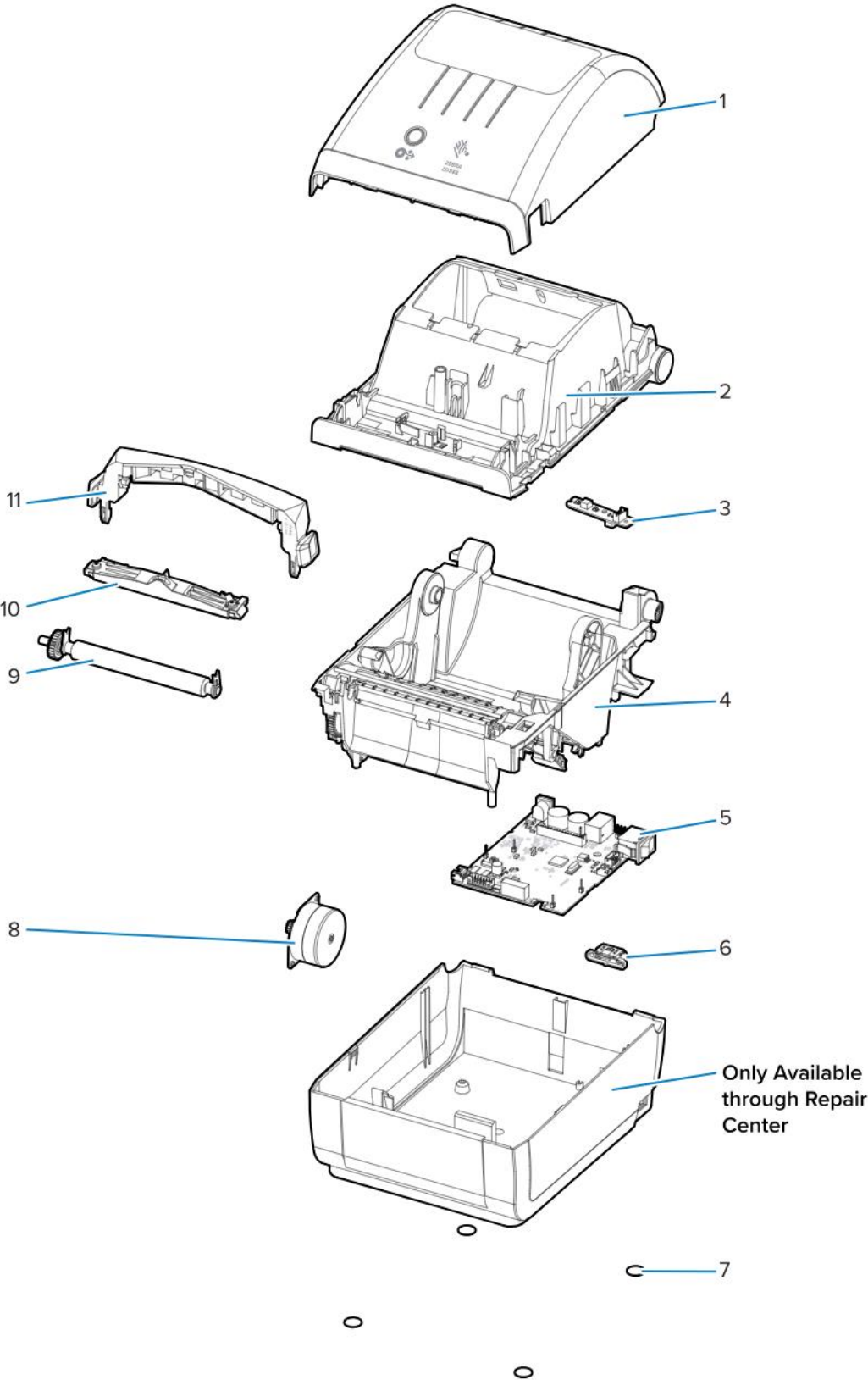


ZD230DA Direct Thermal



ZD230DA Direct Thermal

Item #	Description	Kit Number
1	Kit, Cover Assembly for Gray Colored Models (includes Feed Button), ZD230DA	P1131622-040
	Kit, Cover Assembly for White Colored Models (includes Feed Button), ZD230DA	P1131622-041
	Kit, Cover Assembly for Gray Colored Models (includes Feed Button), India only, ZD230DA	P1131622-042
2	Kit, Inner Lid for Grey Coloured Models without Printhead (includes Printhead/UI/GAP cable), ZD888DA, ZD230DA	P1131622-044
3	Kit, Feed Switch (includes PCBA only), ZD888DA, ZD230DA	P1131622-033
4	Kit, Lower Frame Assembly 203 DPI, ZD888DA, ZD230DA	P1131622-034
	Kit, Lower Frame Assembly 300 DPI, ZD888DA, ZD230DA	P1131622-035
5	Kit, Main Logic Board (USB only), Rest Of Asia (ROA excluding China), ZD230DA, 200dpi only	P1131622-038
	Kit, Main Logic Board (USB only), Rest Of Asia (ROA excluding China), ZD230DA, 300dpi only	P1131622-039
6	Kit, Lower Media Sensor, Moveable, (Black Line) ZD888TA/DA, ZD230TA/DA	P1131622-010
7	Rubber Feet (set of 4)	P1080383-021
8	Kit, Motor Assembly, ZD888TA/DA, ZD230TA/DA	P1131622-015
9	Kit, 203 DPI Printhead, ZD888DA, ZD230DA	P1135877
	Kit, 300 DPI Printhead, ZD888DA, ZD230DA	P1135879
10	Kit, Platen Roller Assembly 203 DPI, ZD888TA/DA, ZD230TA/DA	P1131622-012
	Kit, Platen Roller Assembly 300 DPI, ZD888TA/DA, ZD230TA/DA	P1131622-013
	Kit, Platen Roller Bearings (Qty 10), ZD888TA/DA, ZD230TA/DA	P1131622-014
11	Kit, Latch Assembly, ZD888DA, ZD230DA	P1131622-032
Not shown	Kit, Shipping Box, ZD888DA, ZD230DA	P1131622-043
	Kit, Power Supply 50W, India Only (Power Cord is not included), ZD230TA/DA	P1131622-021
	Kit, Power Supply, 60W (power cord not included), ZD230TA/DA	P1131622-025