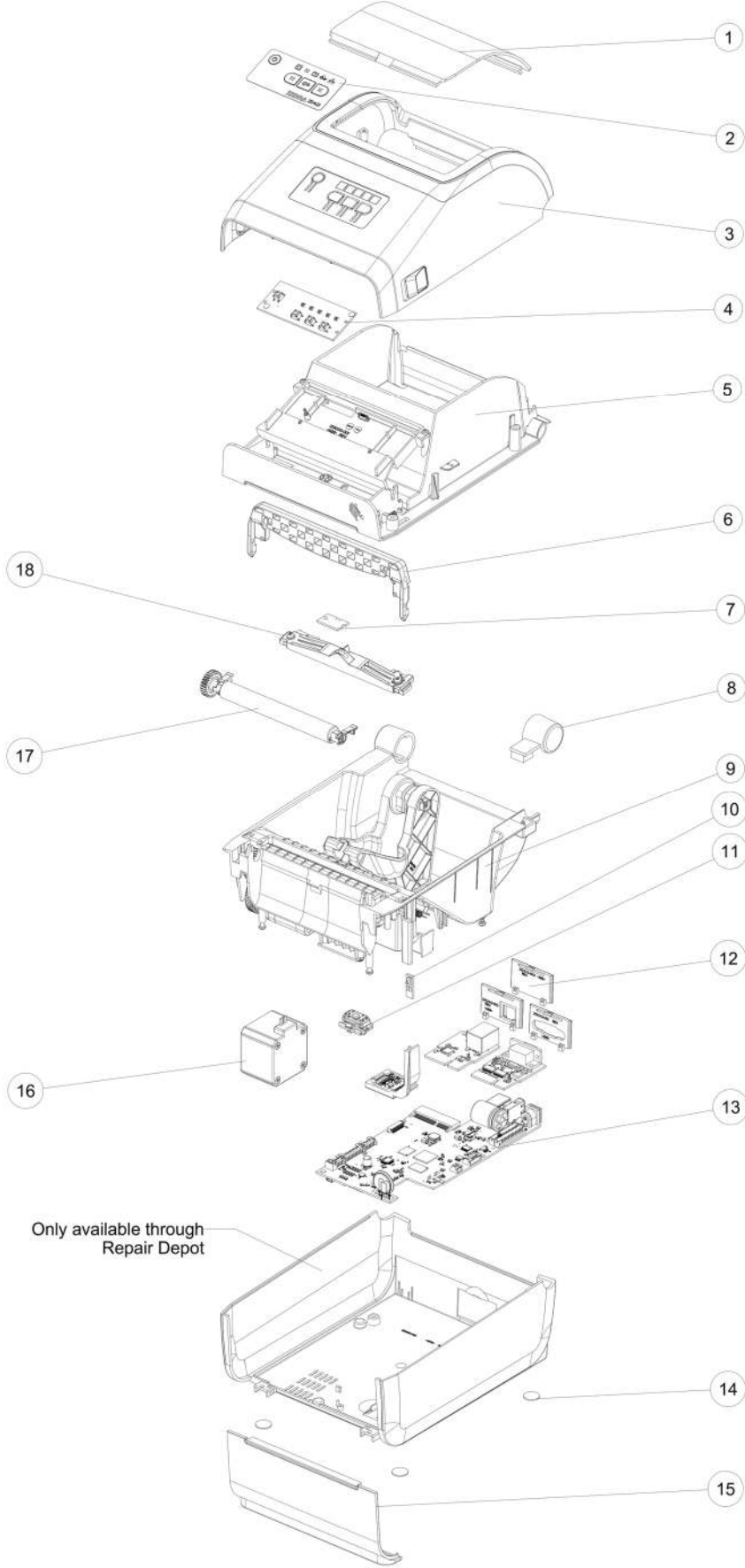


ZD421 Direct Thermal (203 & 300 DPI)



Spare Parts List

ZD421 Direct Thermal (203 & 300 DPI)

Item	Description	Part Number
1	Media Window	P1080383-400
2	Nameplate for Gray Standard Models. Nameplate for White Healthcare Models.	P1112640-001 P1112640-024
3	Cover Assembly for Gray Standard Models (includes Media Window) Cover Assembly for White Healthcare Models (includes Media Window)	P1112640-002 P1112640-003
4	Control Panel PCBA for Standard Models Control Panel PCBA for Healthcare Models	P1112640-004 P1112640-039
5	Inner Lid for Gray Standard Models (without printhead) Inner Lid for White Healthcare Models (without printhead)	P1112640-005 P1112640-006
6	Latch Assembly for Gray Standard Models Latch Assembly for White Healthcare Models	P1112640-007 P1112640-008
7	Upper Media Sensor (Gap Sensor)	P1112640-009
8	Cover Hinge	P1112640-043
9	Print Mechanism 203dpi Print Mechanism 300dpi	P1112640-010 P1112640-011
10	Cover Open Sensor	P1112640-058
11	Lower Media Sensor (Blackline Sensor)	P1112640-012
12	Rear Bezels for Gray Standard Models: Includes Bezels for Serial, Ethernet, WiFi, No Options (1 each) Rear Bezels for White Healthcare Models: Includes Bezels for Serial, Ethernet, WiFi, No Options (1 each)	P1112640-025 P1112640-013
13	Main Logic Board, USB, USB Host, Bluetooth, Modular Connectivity Slot	P1112640-014
13A	Ethernet Module Serial Module WiFi 802.11ac Wireless Module for USA and Canada WiFi 802.11ac Wireless Module for Japan WiFi 802.11ac Wireless Module for all countries except USA, Canada and Japan	P1112640-015 P1112640-016 P1112640-017A P1112640-017B P1112640-017C
14	Rubber Feet (set of 4)	P1080383-021
15	Front Bezel, Standard	P1112640-018
16	Motor Assy 203dpi and 300dpi	P1080383-221
17	Platen Roller 203dpi Platen Roller 300dpi Bearings for the platen roller, Left & Right (10 each)	P1112640-061 P1112640-062 P1080383-224
18	203 dpi Printhead for Gray Standard Models 300 dpi Printhead for Gray Standard Models 203 dpi Printhead for White Healthcare Models 300 dpi Printhead for White Healthcare Models	P1112640-019 P1112640-020 P1112640-026 P1112640-027
Not Shown	Cutter, 4", Full Cut	P1112640-030
	Dispenser, Front Bezel	P1112640-031
	Media Core Adaptors, For 1.5", 2" & 3" diameter cores	P1112640-054
	Base Housing for Battery (When upgrading to battery power functionality, also order the P1080383-603 battery)	P1080383-601
	Battery for Desktop Printers (When upgrading to battery power functionality, also order the P1080383-601 battery housing)	P1080383-603
	Adapter bracket to enable mounting a ZD421D model in the same location as an existing GK420d model is currently mounted. Bracket allows usage of the GK420d mounting hole pattern to mount a ZD421D.	P1080383-423
	Packaging for shipping the printer	P1080383-424
	Replacement key for Healthcare printers with a locking media cabinet (quantity of 5)	P1080383-406
	Replacement lock for Healthcare printers with a locking media cabinet (includes 2 keys)	P1112640-023
	Power Supply Unattached, 60W, with US & Euro Cords for Gray Colored Standard Models	105934-053
	Power Supply Unattached, 75W, with US Cord, for White Colored Healthcare Models	P1079903-030
	Power Supply Attached, 60W (power cord not included)	P1112640-057

Spare Parts List

ZD421 Direct Thermal (203 & 300 DPI)

Item	Description	Part Number
Not Shown	Power Cord, U.S. 120V IEC320C13 (set of 5)	105950-014
	Power Cord, Euro 220V IEC320C13 (set of 5)	105950-015
	Power Cord, U.K. 240V IEC320C13 (set of 5)	105950-030
	Power Cord, Australia 240V IEC320C13 (set of 5)	105950-029
	Power Cord,China 220V C13 (set of 5)	105950-078
	Power Cord, Japan 125V JAPAN C13 (set of 5)	105950-079
	Power Cord, 220V Argentina C13 (set of 5)	105950-080
	Power Cord,10A NBR 14136, Brazil (set of 5)	P1033401
	Power Cord, C13, 10A, IEC Israel (set of 5)	P1061022-020
	Power Cord India, 10A, IS 1293, C13 (set of 5)	P1080829
Power Cord, Taiwan, 125V, IEC320C13 (set of 5)	P1079903-035	