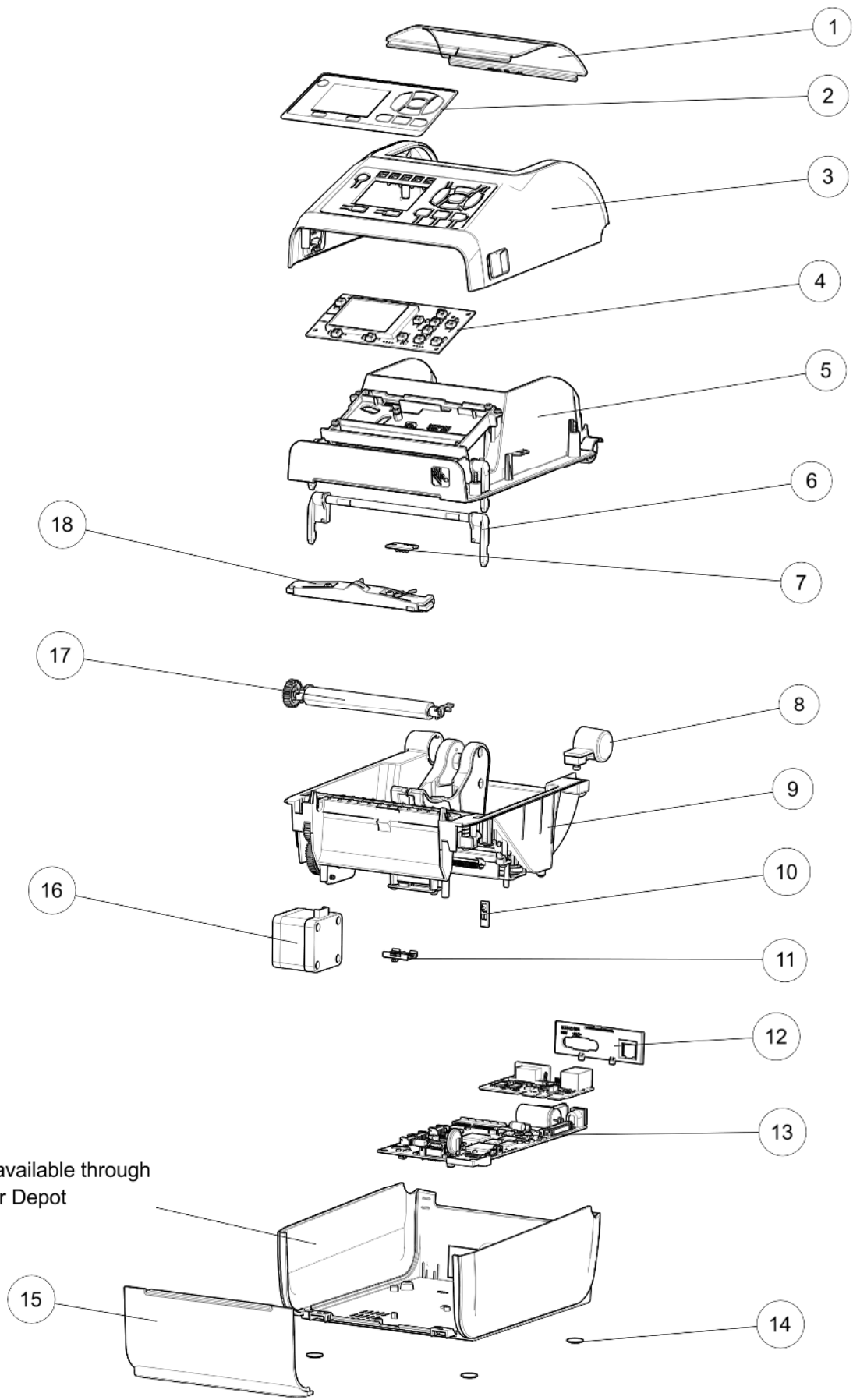


ZD620 Direct Thermal (203 & 300 DPI)



Only available through
Repair Depot

ZD620 Direct Thermal (203 & 300 DPI)

Item	Description	Part Number
1	Media Window	P1080383-400
2	Nameplate without LCD (contains nameplates with and without the Print Touch icon) Nameplate with LCD (contains nameplates with and without the Print Touch icon)	P1080383-425 P1080383-426
3	Cover Assembly for Standard Models without LCD (includes Media Window) Cover Assembly for Standard Models with LCD (includes Media Window) Cover Assembly for Health Care Models with LCD (includes Media Window)	P1080383-427 P1080383-428 P1080383-429
4	Control Panel PCBA without LCD Control Panel PCBA with LCD	P1080383-208 P1080383-241
5	Inner Lid (without printhead)	P1080383-402
6	Latch Assembly	P1080383-407
7	Upper Media Sensor (Gap Sensor)	P1079903-013
8	Cover Hinge	P1079903-016
9	Print Mechanism 203dpi Print Mechanism 300dpi	P1080383-432 P1080383-433
10	Cover Open Sensor	P1080383-011
11	Lower Media Sensor (Blackline Sensor)	P1080383-410
12	Rear Bezel: Serial & Ethernet	P1080383-439
13	Main Logic Board, USB, USB Host, Bluetooth, Modular Connectivity Slot Main Logic Board, USB, USB Host, Bluetooth, WiFi 802.11ac, Modular Connectivity Slot Ethernet & Serial Combined Module	P1080383-254 P1080383-253 P1080383-440
14	Rubber Feet (set of 4)	P1080383-021
15	Front Bezel, Standard Front Bezel, Linerless (includes take label sensor)	P1080383-412 P1080383-434
16	Motor Assy 203dpi and 300dpi	P1080383-221
17	Platen Roller 203dpi (for media with a liner) Platen Roller 300dpi (for media with a liner) Linerless Media Platen Roller 203dpi Linerless Media Platen Roller 300dpi Bearings for the platen roller, Left & Right (10 each)	P1080383-413 P1080383-414 P1080383-435 P1080383-436 P1080383-224
18	Printhead, 203dpi Printhead, 300dpi	P1080383-415 P1080383-416
Not Shown	Field Upgrade Cutter for Lined Media, 4", Full Cut	P1080383-417
	Replacement Linerless Media Cutter, 4", Full Cut	P1080383-437
	Dispenser, Front Bezel	P1080383-418
	Convert to 300dpi	P1080383-421
	Convert to 203dpi	P1080383-422
	Media Core Adaptors, For 1.5", 2" & 3" diameter cores	P1079903-033
	Base Housing for Battery (When upgrading to battery power functionality, also order the P1080383-603 battery)	P1080383-601
	Battery for Desktop Printers (When upgrading to battery power functionality, also order the P1080383-601 battery housing)	P1080383-603
	Adapter bracket to enable mounting a ZD620D in the same location as an existing GX420d/430d is currently mounted. Allows usage of the GX420d/430d mounting hole pattern to mount a ZD620D.	P1080383-423
	Shipping Pack - Packaging for shipping the printer	P1080383-424
	Replacement key for Healthcare printers with a locking media cabinet (quantity of 5)	P1080383-406
	Replacement lock for Healthcare printers with a locking media cabinet (includes 2 keys)	P1080383-431
	Power Supply Unattached, 75W, C13, with US & Euro Cords for Standard Models	P1079903-026
	Power Supply Unattached, 75W, 24V with US Cord, for Healthcare Models	P1079903-030
	Power Supply Attached, 75W (power cord not included)	P1080383-430
	Power Cord, U.S. 120V IEC320C13 (set of 5)	105950-014
	Power Cord, Euro 220V IEC320C13 (set of 5)	105950-015
	Power Cord, U.K. 240V IEC320C13 (set of 5)	105950-030
	Power Cord, Australia 240V IEC320C13 (set of 5)	105950-029
	Power Cord, China 220V C13 (set of 5)	105950-078
	Power Cord, Japan 125V JAPAN C13 (set of 5)	105950-079
	Power Cord, 220V Argentina C13 (set of 5)	105950-080
	Power Cord, 10A NBR 14136, Brazil (set of 5)	P1033401
	Power Cord, C13, 10A, IEC Israel (set of 5)	P1061022-020
	Power Cord India, 10A, IS 1293, C13 (set of 5)	P1080829
Power Cord, Taiwan, 125V, IEC320C13 (set of 5)	P1079903-035	