



ZEBRA

Product Recycling Information

ZB200

August, 2022

Product Producer

Zebra Technologies Corporation

3 Overlook Point
Lincolnshire, IL 60069 USA

Product Description

Model: ZB200

Hazardous Substances and Preparations and Preparations

This product is RoHS compliant and all components/parts are below the specified maximum concentration values.

Packaging

The packaging materials used for this product do not contain any of the banned materials listed in the EU packaging directive.

The printed user documentation included with this product is printed on paper produced with 50% or more recycled content that has not been bleached with chlorine.

Information on the assessment of the packaging scheme for these or other Zebra products can be made available upon request.

Recycling Information

Zebra Technologies offers product recycling programs in certain geographic areas. To determine if a program is available for these products in your area, please refer to our website at

<http://www.zebra.com/environment>

This product is designed with the following features to enhance recyclability:

- *Glues and adhesives have been eliminated from product construction where feasible.
- *Use of common fasteners and/or snap-in features.
- *Plastic parts weighing more than 25g are marked according to ISO 11469 standards except where impractical. Exceptions are noted in the following drawing.

This document was compiled from information available at the time of publication and is issued as an information source. No warranty as to the accuracy of completeness is expressed or implied. This document is subject to change without notice.

©2022 Zebra Technologies Corp. All product names and numbers are Zebra trademarks, and Zebra and the Zebra logo are registered trademarks of Zebra Technologies Corp. All rights reserved. Unauthorized reproduction, adaptation, or translation of this information without prior written permission is prohibited except as allowed under copyright laws and may result in imprisonment of up to one year and fines up to \$10,000 (17 U.S.C.506). Copyright violators may be subject to civil liability.

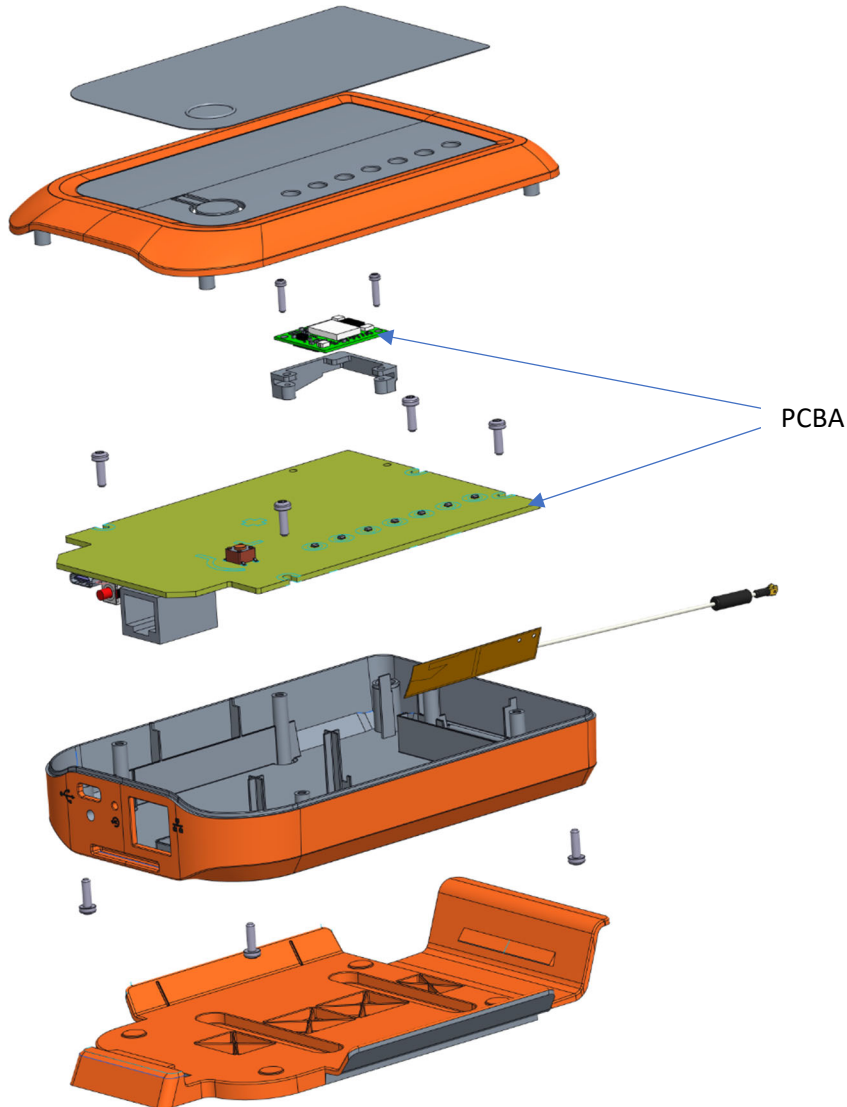


ZEBRA

Product Recycling Information

ZB200

August, 2022



This document was compiled from information available at the time of publication and is issued as an information source. No warranty as to the accuracy of completeness is expressed or implied. This document is subject to change without notice.

©2022 Zebra Technologies Corp. All product names and numbers are Zebra trademarks, and Zebra and the Zebra logo are registered trademarks of Zebra Technologies Corp. All rights reserved. Unauthorized reproduction, adaptation, or translation of this information without prior written permission is prohibited except as allowed under copyright laws and may result in imprisonment of up to one year and fines up to \$10,000 (17 U.S.C.506). Copyright violators may be subject to civil liability.